



WATER • TECHNOLOGY

Spare parts list

Revision number

Page 1

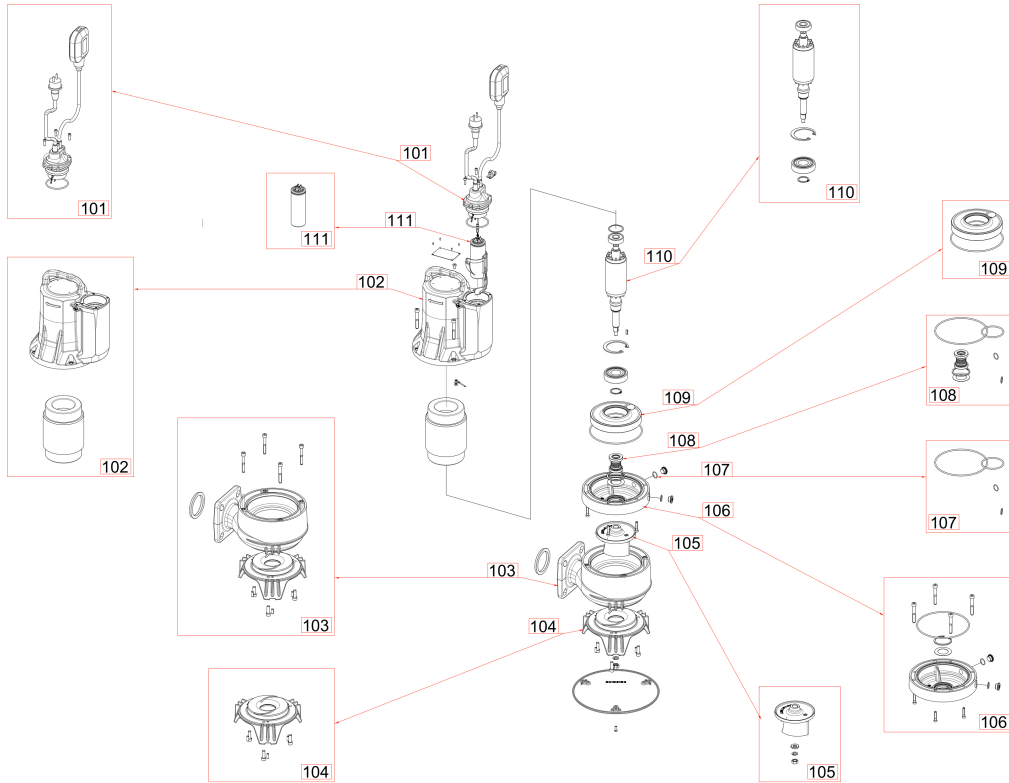
Company name
Dept.
Editor
Phone number
Fax no.
E-mail

Customer

Supplier

Model - Revision @ Code_Document version **Attention: check the correspondence with the revision of your product**

Pos.no	Description	Item no.	Qty.	UP / EUR
FEKA FXC 20.15 MA 220-240/50 - N.1.- - @ 60191251_a,d				



101	(SP) CABLE COMP. H07RN8-F 3G1.5 10M SCHUKO FLOAT DSA	SP00005736	1	Price on req.
102	(SP) MOTOR CASE MEC80 H92	SP00005746	1	Price on req.
103	(SP) PUMPBODY CHANNEL_22 DN50	SP00005774	1	Price on req.
104	(SP) BASE DN65	SP00005803	1	Price on req.
105	(SP) IMPELLER CHANNEL 1.5KW	SP00005786	1	Price on req.
106	(SP) FLANGE MEC80 2P D.20	SP00005770	1	Price on req.
107	(SP) OR/GASKETS	SP00005812	1	Price on req.
108	(SP) SHAFT SEAL D.20 BT PNL 20x32x30 BXPFF-Q6Q6PFF	SP00005815	1	Price on req.
109	(SP) BEARING SEAT NOATEX D.20	SP00005767	1	Price on req.
110	(SP) ROTOR SHAFT D.64.2X110 M NOATEX VX D20 DSA	SP00005753	1	Price on req.
111	(DISCONTINUED)(SP) CAPACITOR 40 UFX450V COND.D.45X122 CSA (SP00003344)	SP00005748	1	Price on req.

Project

Creation software

Spaix® 5-2022.4 - 2023/10/24 (E

Issue date

2023-11-09

Last update

2023-11-09